

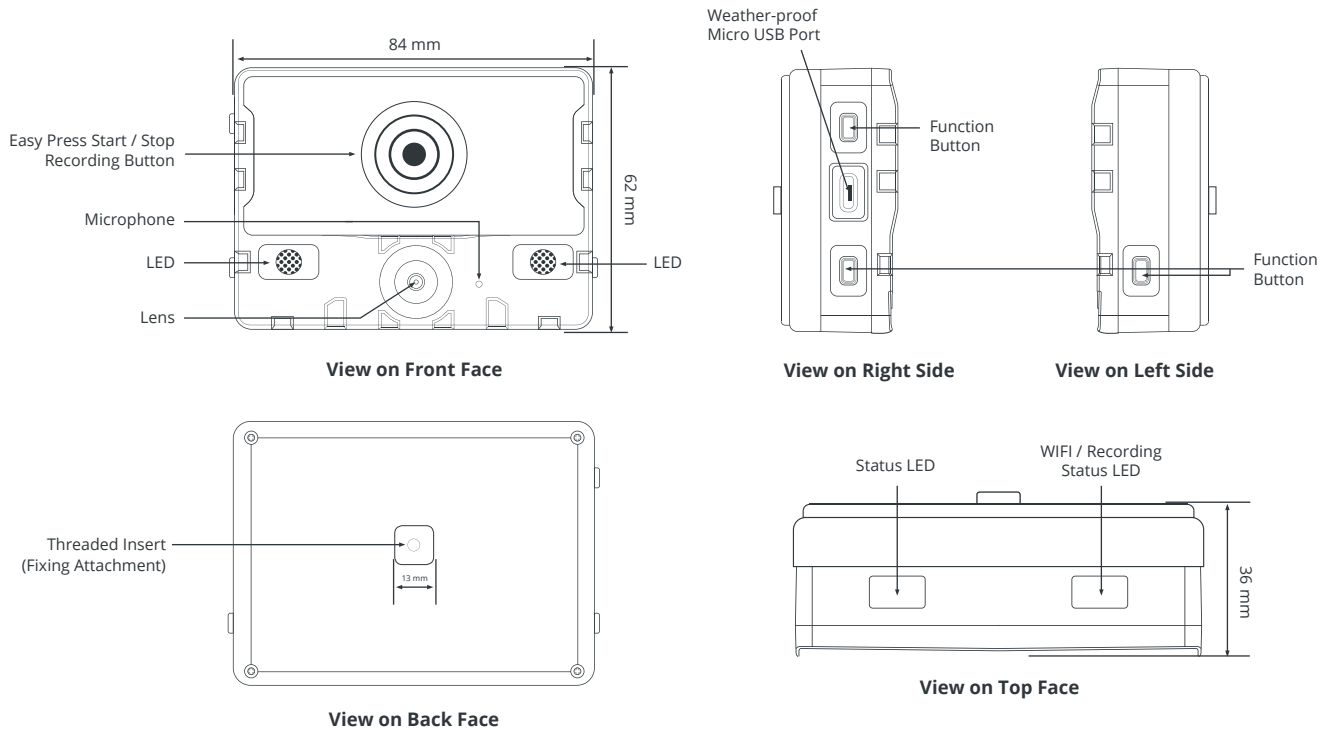
## VB-300 TECHNICAL SPECIFICATIONS

The VB-300 series of Body Worn Cameras represent the first generation of WiFi enabled VideoBadges by Edesix.

With a 130 degree horizontal field of view, day & night recording capability, RFID touch-assign enabled and integrated pre-record function, VB-300 VideoBadges are able to record unrivalled footage of ongoing incidents.



CAMERA FEATURE	DESCRIPTION / SPECIFICATION
<b>Typical Usage</b>	Deployments where the VB-300's large field of view, longer life battery and WiFi streaming capabilities are key.
<b>Pre-record Facility</b>	Continuous pre-record available, with configurable pre-record period. <b>Note:</b> <i>Pre-record function impacts battery-life.</i>
<b>Dimensions</b>	84mm x 62mm x 30mm (VB-320) x 36mm (VB-340).
<b>Weight</b>	100g without any mounting (VB-320), 140g without any mounting (VB-340).
<b>User Access or Sealed Unit</b>	Sealed unit with no user access to storage media or battery.
<b>Storage Media</b>	Internal solid state, protected recordings.
<b>Recording Storage Capacity</b>	16GB / 32GB (VB-320), 32GB (VB-340).
<b>File size for hour of recording</b>	1GB at 640 x 480 standard resolution, 2GB at 1280 x 720 HD resolution.
<b>Battery capacity in standby (instant recording mode)</b>	48hrs (VB-320) 96hrs (VB-340).
<b>Battery type</b>	Lithium-ion (no battery memory) does not require discharge before charging.
<b>Battery overcharge protection</b>	VideoBadge has overcharge protection so cannot be overcharged and can be left in docking station.
<b>Battery indication</b>	Power LED indicates: <b>Green</b> = battery charged   <b>Red</b> = 15 minutes recording time left   <b>Blue</b> = WiFi Active



CAMERA FEATURE	DESCRIPTION / SPECIFICATION
<b>Battery life in recording mode</b>	Up to 7 hrs (VB-320) / 13 hrs (VB-340) when used with optimum camera settings.
<b>Battery refresh process</b>	3 years recommended refresh time, depending on amount of standby time required.
<b>RFID assigned</b>	Continual red blinking LED indicates badge is RFID assigned to you.
<b>Bookmark footage</b>	Pressing the top left button whilst recording is in process, will bookmark an instance within the video.
<b>Configurable</b>	Configure buttons, LEDs and recording functions to suit your needs.
<b>Switches</b>	Squeeze pair of buttons to start / stop recording or press the front of the camera to start / stop recording.
<b>Recording status user notification</b>	Visual recording light and audible beep to notify user of recording on / off.
<b>Front display message</b>	Options: <ul style="list-style-type: none"> <li>✓ Display card with message / logo</li> </ul>
<b>Download rate</b>	5mins per hour of recording (parallel downloading with docking station).
<b>Frame rates</b>	30/25/15/12.5 fps. By default VideoBadge records at 25 frames per second.

CAMERA FEATURE	DESCRIPTION / SPECIFICATION
<b>Resolution</b>	<ul style="list-style-type: none"> <li>✓ Up to 1280 x 720 (HD)</li> <li>✓ 640 x 480 standard setting - evidential quality</li> <li>✓ HD increases file size</li> <li>✓ MP4 Video Encoding</li> </ul>
<b>Recording rate</b>	<p>25/30 frames per second, real time recording.</p> <p><b>Note:</b> Each frame is available to view as a still image for evidential accuracy, by authorised user.</p>
<b>Lens capture angle</b>	Wide angle, 130 degree horizontal field of view.
<b>Video downloading protected by encryption</b>	AES 256, encrypted keys specific to base station.
<b>Recordings view, copy and deletion ability</b>	The VideoBadge wearer cannot access, view or delete any recordings. Only authorised users have access to recordings, after download at secure site.
<b>Day / night operation</b>	Supports low light conditions to 1 lux, meaning street lighting and internal lighting is adequate for operation.
<b>Audio capture</b>	Standard audio configuration is near field capture with background noise reduction.
<b>Network data security on USB storage media</b>	VideoBadge does not appear as a USB storage device and cannot receive files whilst connected to a network.
<b>Surveillance and data protection compliance</b>	<p>All compliance controls built in as standard.</p> <p><b>RIPA compliance</b> (The Regulation of Investigatory Powers Act 2000) VideoBadge does not require RIPA authority to use, as is overt recording.</p> <p><b>Surveillance compliance</b> VideoBadge front display, access restrictions and system controls for data management, provide compliance to Home Office - Surveillance Code of Practice.</p> <p><b>Data protection</b> VideoBadge encryption-protected recordings, access restrictions, system controls and audit trail for Information Commissioner Office compliance.</p>
<b>Anti-interference shielding</b>	Built in radio anti-interference shield tested against Police TETRA and general two-way radio comms (SPEC5).
<b>Battery recharging times</b>	Up to 4hrs / Up to 8hrs (VB-320 / VB-340) from a fully flat battery.
<b>Download times</b>	5 minutes per hour of recording.

CAMERA FEATURE	DESCRIPTION / SPECIFICATION
<b>Connections</b>	USB to local computer. VideoBadge connection choice: <ul style="list-style-type: none"> <li>✓ Single cable USB charge</li> <li>✓ Wire free connection with 14-way docking station, mains and single USB connection</li> </ul>
<b>Weather proofing</b>	Tested to IP65 weatherproof rating.
<b>Warranty</b>	1 year from purchase, extendable to 3 years. Special police specific warranty available.
<b>Environmental temperature operational rating</b>	-20°C to +40°C, non-condensing, operating.
<b>Training</b>	<ul style="list-style-type: none"> <li>✓ Training free system for VideoBadge operators</li> <li>✓ Full instruction manuals and telephone support for system managers</li> <li>✓ Optional on-site set-up and training when IT also supplied by Edesix</li> </ul>
<b>Running audit track log</b>	Usage, operations and recording details all logged and indexed.
<b>Digital evidence integrity chain</b>	Full audit trail with generated check-sums and watermarked evidential outputs <b>Note:</b> <i>Routinely used in criminal and civil court actions.</i>
<b>Frame count</b>	Each frame is numbered and cannot be edited or amended without violating checksum.
<b>Date &amp; time watermark</b>	Each frame has date and time watermark.
<b>Time synchronisation</b>	Time source is local PC, with options of network or web synchronisation.
<b>Individual frame burning information</b>	<ul style="list-style-type: none"> <li>✓ Device ID</li> <li>✓ Date and Time (UTC)</li> <li>✓ Universal time clock</li> <li>✓ Frame count number</li> </ul>
<b>WEEE compliant</b>	Edesix observes all relevant Waste Electrical and Electronic (WEEE) regulations and honours the required arrangements for the safe disposal and recycling of its product.

WIFI FEATURE	DESCRIPTION / SPECIFICATION
<b>Specification</b>	802.11 a/b/g/n (2.4GHz WiFi), infrastructure or ad-hoc.
<b>Security</b>	WPA2-Enterprise(*), WPA2-PSK, WPA-PSK, WEP or open.
<b>Streaming</b>	RTSP, 640x268p (SD) 700kbps, 64kps audio with digest or open authentication (VB-320 or VB-340).

MOUNTING OPTIONS	DESCRIPTION / SPECIFICATION
<b>Uniform and clothing fixings</b>	Fixed & Tilting Klick Fast, Crocodile style shirt-clip, sports-camera mounting.
<b>Vehicle mounting option</b>	Compatible with all Klick Fast and sports-camera dashboard and screen mounts.